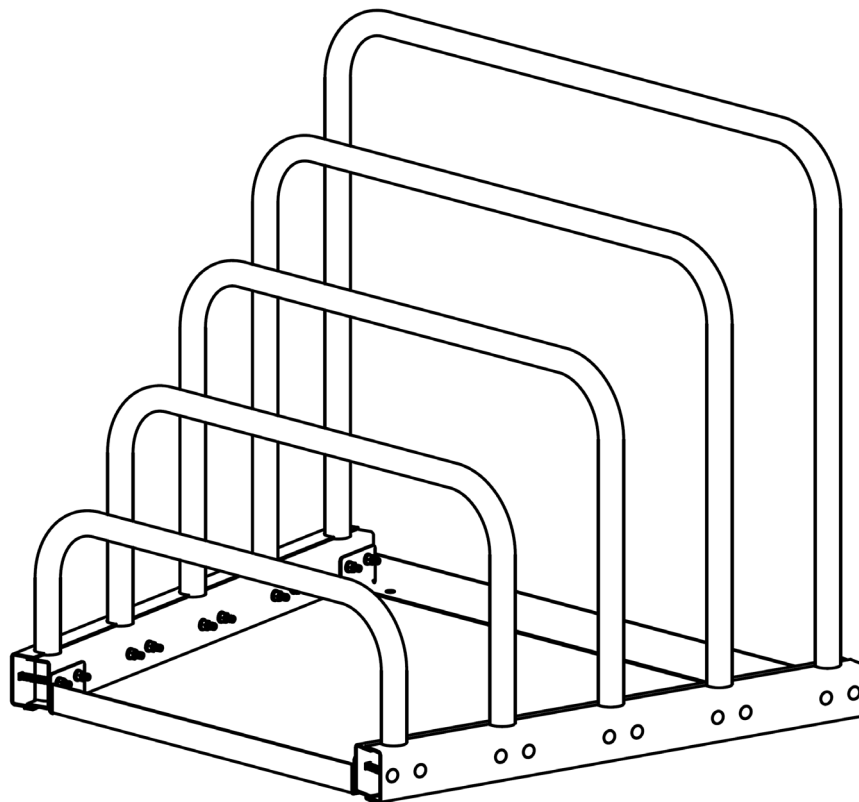




Vestil Manufacturing Corp.
 2999 North Wayne Street, P.O. Box 507, Angola, IN 46703
 Telephone: (260) 665-7586 -or- Toll Free (800) 348-0868
 Fax: (260) 665-1339
 Website: www.vestilmfg.com e-Mail: info@vestil.com

VHSR-Series Sheet Rack



Receiving Instructions

After delivery, remove the packaging from the product. Inspect the product closely to determine whether it sustained damage during transport. If damage is discovered, record a complete description of it on the bill of lading. If the product is undamaged, discard the packaging.

NOTE: The end-user is solely responsible for confirming that product design, use, and maintenance comply with laws, regulations, codes, and mandatory standards applied where the product is used.

Technical Service & Replacement Parts

For answers to questions not addressed in these instructions and to order replacement parts, labels, and accessories, call our Technical Service and Parts Department at (260) 665-7586. The department can also be contacted online at http://www.vestilmfg.com/parts_info.htm.

Electronic copies of Instruction Manuals

Additional copies of this instruction manual may be downloaded from <https://www.vestil.com/page-manuals.php>.

Table of Contents

Signal Words.....	2
Safety Instructions.....	2
Record of Satisfactory Condition.....	2
Exploded Views and Bills of Materials.....	3, 4
Assembly Instructions.....	5
Labeling Diagram.....	5
Limited Warranty.....	6

SIGNAL WORDS

This manual uses SIGNAL WORDS to indicate the likelihood of personal injuries, as well as the probable seriousness of those injuries, if the product is misused in the ways described. Other signal words call attention to uses of the product likely cause property damage. The signal words used appear below along with the meaning of each word:



Identifies a hazardous situation which, if not avoided, **WILL** result in DEATH or SERIOUS INJURY. Use of this signal word is limited to the most extreme situations.



Identifies a hazardous situation which, if not avoided, **COULD** result in DEATH or SERIOUS INJURY.



Indicates a hazardous situation which, if not avoided, **COULD** result in MINOR or MODERATE injury.



Identifies practices likely to result in product/property damage, such as operation that might damage the product.

SAFETY INSTRUCTIONS

Vestil strives to identify foreseeable hazards associated with the use of its products. However, no manual can address every conceivable risk. The most effective way to avoid injury is to exercise sound judgment when assembling, using, inspecting, and maintaining this product. **Keep a copy of this manual with the product at all times.** For example, put a copy inside a plastic pouch and attach the pouch to the frame. **Anyone who uses this product must be made aware that a copy of the manual is available and where to find it.**



If this product is assembled, installed, or used improperly, serious personal injuries might result.

- **Failure to read and understand the entire manual before assembling, installing, loading or servicing the product constitutes misuse.** Read the manual to refresh your understanding of proper use and maintenance procedures as necessary.
- DO NOT exceed the capacity of your unit. Capacity information appears on [p. 3 & 4](#) as well as on label 287. See [LABELLING DIAGRAM](#) on p. 5.
- Inspect the rack periodically (AT LEAST once per month). DO NOT continue to use the rack if the inspection reveals structural damage. Examples of structural damage include: 1) warped, deformed, or damaged dividers or base frame; 2) cracked welds; 3) enlargement of bolt holes; 4) corrosion, severe wear, or other condition that affects the ability of the product to support weight; 6) damaged, deformed or cracked channels (for machined nuts). Immediately tag out the rack, unload it completely, and replace each part that fails to pass an inspection. DO NOT use the product until it is fully restored to normal condition. ONLY use manufacturer-approved replacement parts.
- DO NOT use the product if any unusual noise or movement is observed. If a malfunction occurs, remove the unit from service and notify your supervisor or maintenance personnel about the issue.
- All loads must fit within the dimensions of the rack. DO NOT store any load that hangs over the rack.
- DO NOT use the rack UNLESS it is securely anchored to the ground.
- ALWAYS evenly distribute and center loads applied to the rack.
- ONLY install this rack on even, level surfaces.
- DO NOT remove or obscure any label. All product labels must be readable and undamaged.
- DO NOT climb on the rack.
- DO NOT modify the rack in any way. Unauthorized modifications automatically void the [LIMITED WARRANTY](#) on p. 6 and might make the rack unsafe to use.



Proper maintenance is essential for this product to function properly and to last as long as possible.

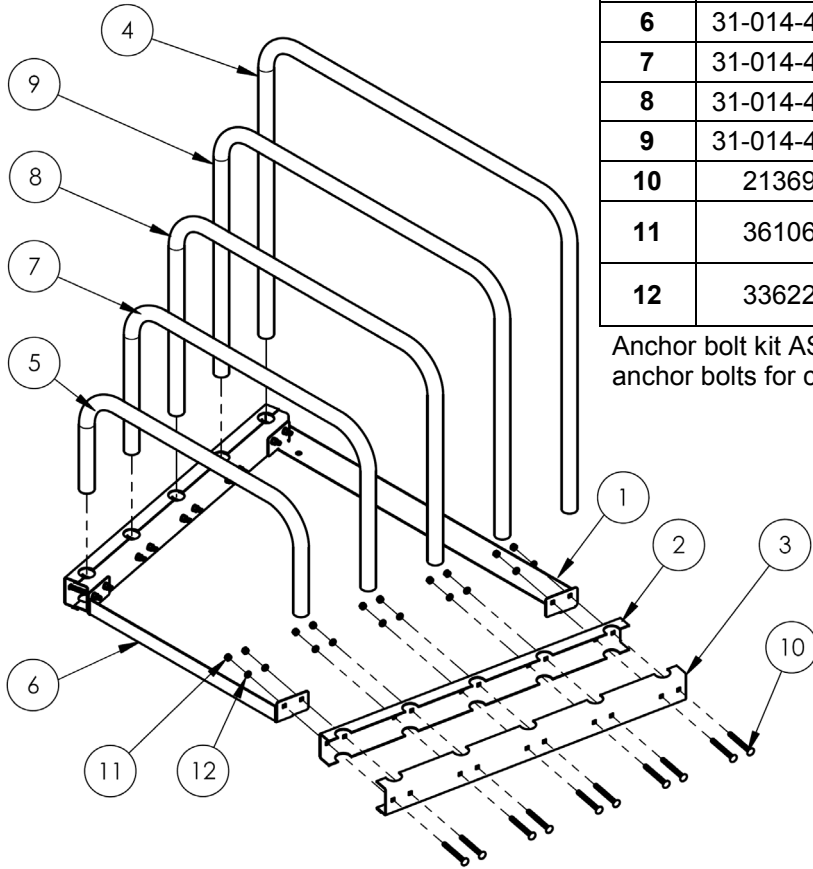
- Always use this product in accordance with the instructions in this manual and consistent with any training relevant to the storage of materials on racks.
- Keep the rack clean & dry.

RECORD OF SATISFACTORY CONDITION (THE “RECORD”)

Thoroughly inspect the rack after assembling it and before putting it into service. Record the condition and appearance of each of the frame members and all fasteners including anchor bolts. Thoroughly photograph the rack from multiple angles. Include close range photographs of all labels, anchor bolts, fasteners, and the openings in the side assemblies (see [ASSEMBLY](#) on p. 5). Add the photographs to the record. Collate all photographs and writings into a single file. This file is a record of the RACK in satisfactory condition. Visually inspect all parts of the unit at least once per month. Compare your observations to the Record to determine whether the rack is in satisfactory condition. Do not use the rack unless it is in satisfactory condition. Purely cosmetic changes, like damaged paint or powdercoat, are not changes from satisfactory condition. However, touchup paint should be applied as soon as damage occurs.

FIG. 1A: VHSR-4BA-KD exploded view and bill of materials

ITEM	PART NO.	DESCRIPTION	QTY
1	31-014-448	Frame, back connector, formed	1
2	31-014-449	Frame, inner side, formed	2
3	31-014-450	Frame, outer side, formed	2
4	31-014-008	Frame, round divider, formed	1
5	31-014-452	Frame, round divider, formed	1
6	31-014-451	Frame, front connector, formed	1
7	31-014-453	Frame, round divider, formed	1
8	31-014-454	Frame, round divider, formed	1
9	31-014-455	Frame, round divider, formed	1
10	21369	Carriage bolt, $\frac{3}{8}$ "-16 x 4"	20
11	36106	Hex nut, gr. A, zinc plated, $\frac{3}{8}$ "-16	20
12	33622	Split lock washer, carbon steel, medium zinc finish, $\frac{3}{8}$ "	20



Anchor bolt kit AS-124-4PK consists of four (4) $\frac{1}{2}$ "-14 x 4" anchor bolts for concrete.

Two (2) anchor bolt holes (see red arrows) are present in both the front connector (item 6) and back connector (item 1). Anchor the rack to the ground with all 4 of the $\frac{1}{2}$ "-14 x 4" anchor bolts from kit AS-124-4PK.

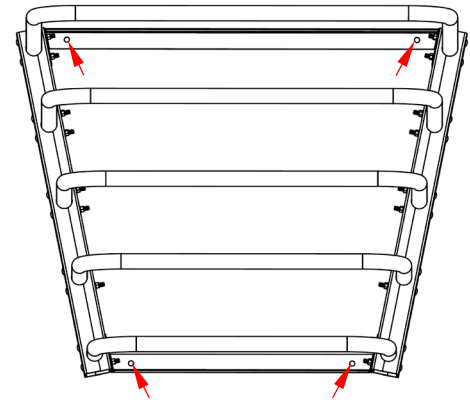
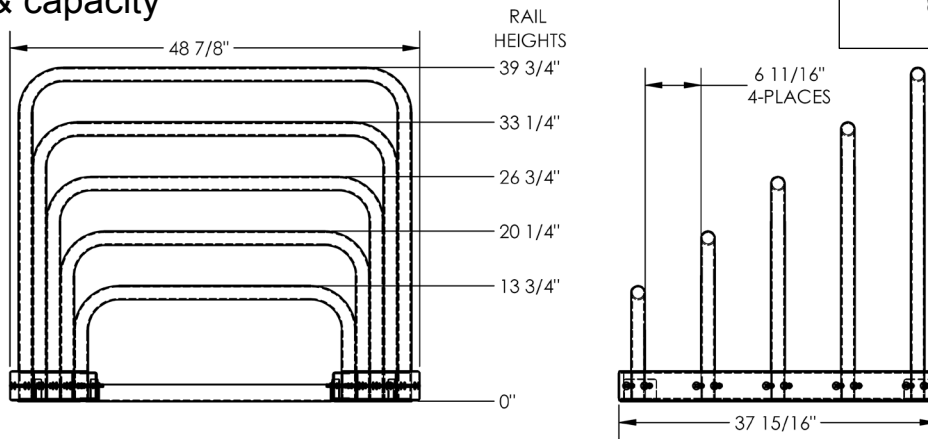


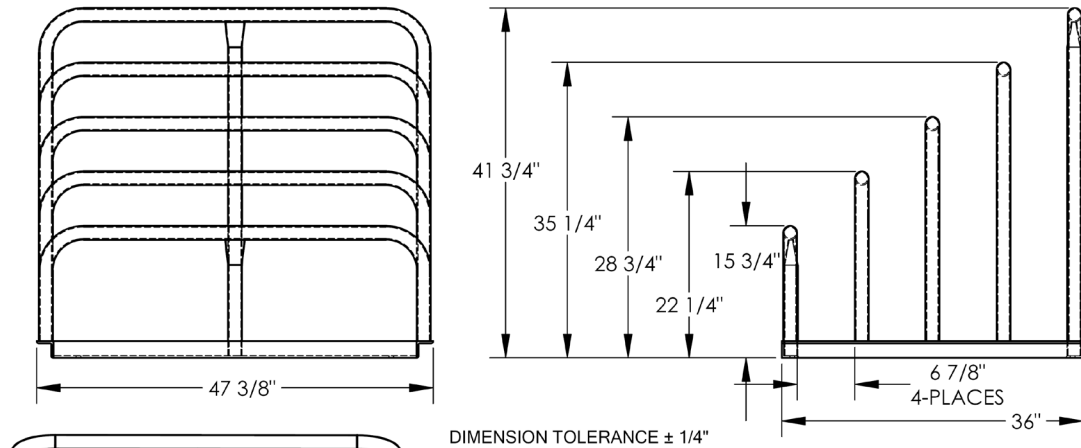
FIG. 1B: VHSR-4BA-KD dimensions, net weight, & capacity



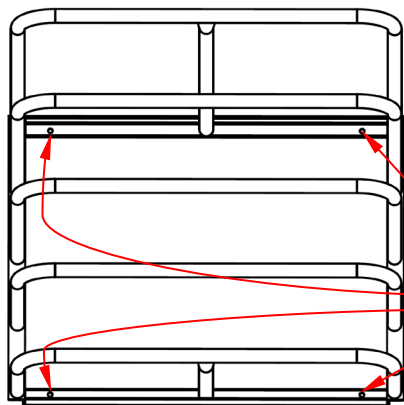
- Maximum capacity per bay = 1,500 lb. (681kg)
- Overall width = 48 $\frac{7}{8}$ " (124cm)
- Overall length = 37 $\frac{15}{16}$ " (96.4cm)
- Usable width between dividers = 6 $\frac{11}{16}$ " (17.0cm)
- Overall height = 39 $\frac{3}{4}$ " (101cm)
- Net weight = 121 lb. (55kg)

Welded racks (replacement parts not available; must replace entire unit)

FIG. 2: VHSR-4 dimensions and capacity

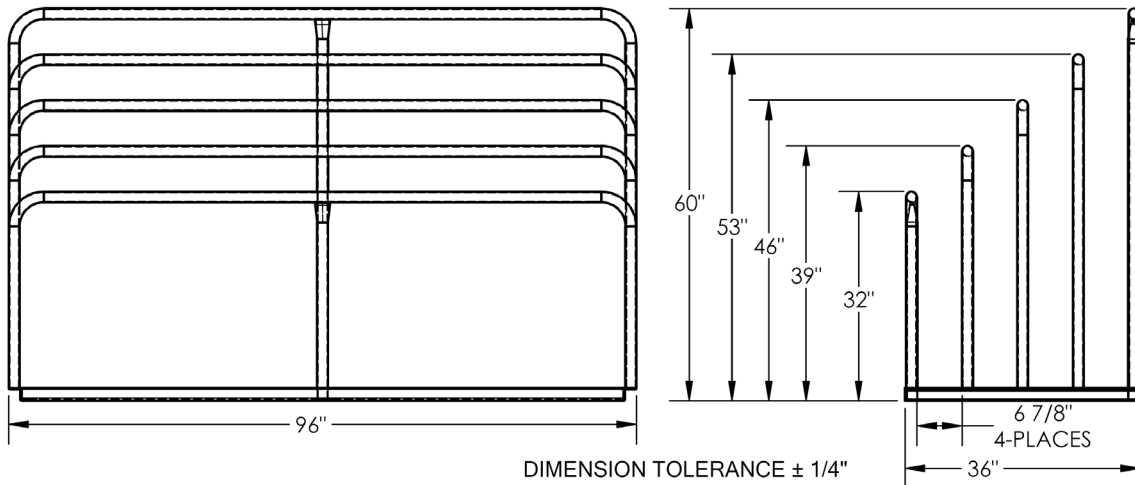


- Maximum capacity per bay = 1,500 lb. (681kg)
- Overall width = 47³/₈" (120cm)
- Overall length = 36" (91.4cm)
- Usable width between dividers = 6⁷/₈" (17.5cm)
- Overall height = 41³/₄" (106cm)
- Net weight = 140 lb. (63.6kg)

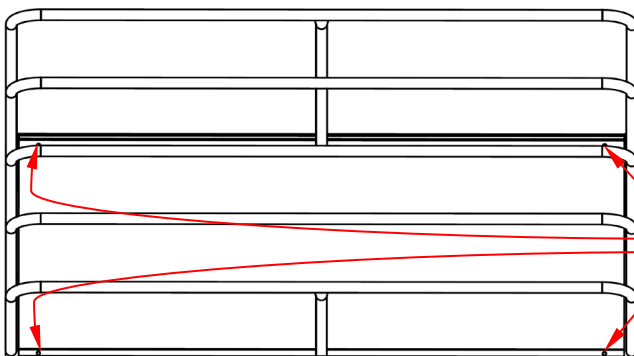


Two (2) anchor bolt holes (see red arrows) are present in both the front connector (item 6) and back connector (item 1). Anchor the rack to the ground with all 4 of the 1/2"-14 x 4" anchor bolts from kit AS-124-4PK.

FIG. 3: VHSR-8 dimensions and capacity



- Maximum capacity per bay = 1,500 lb.
- Overall width = 86"
- Overall length = 36"
- Usable width between dividers = 6⁷/₈"
- Overall height = 60"
- Net weight = 140.20 lb.

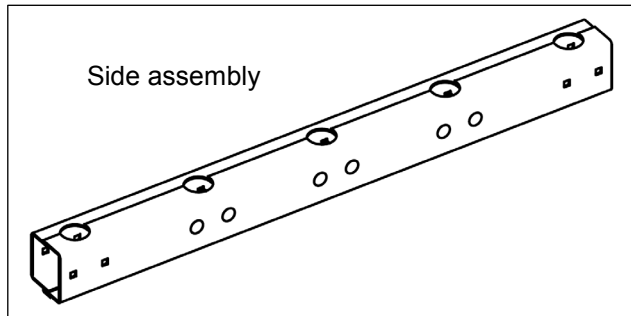
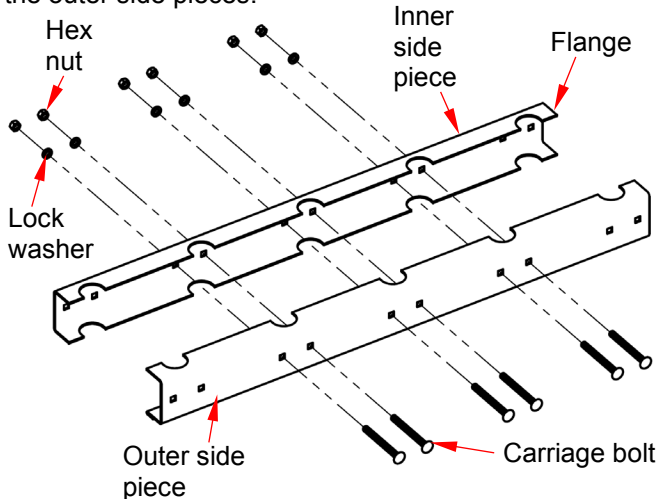


Two (2) anchor bolt holes (see red arrows) are present in both the front cross piece and back cross piece. Anchor the rack to the ground with all 4 of the 1/2"-14 x 4" anchor bolts from kit AS-124-4PK.

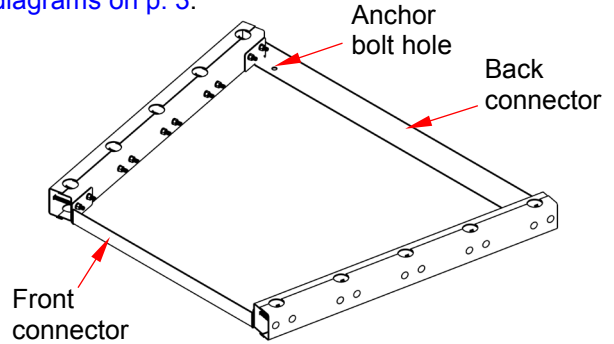
ASSEMBLY

NOTE: Only model VHSR-4BA-KD requires assembly. Numbers in parentheses () correspond to item numbers in the [bill of materials on p. 3](#).

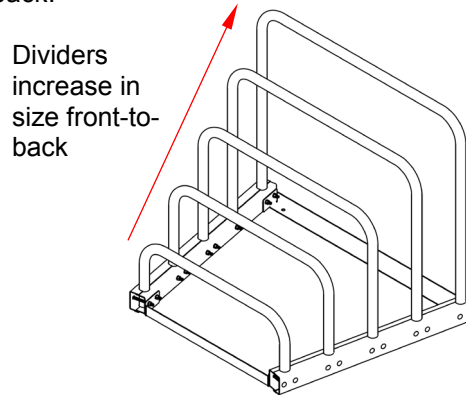
Step 1: Begin by fastening the inner side frame pieces (2) to the outer side frame pieces (3) with carriage bolts (10), lock washers (12), and hex nuts (11) as shown in the diagram. There are 5 pairs of bolts holes in each inner and outer side piece. Only install hardware in the 2nd, 3rd, and 4th pairs of holes. The flanges on the inner side pieces fit inside the flanges of the outer side pieces.



Step 2: Fasten the front connector (6) and the back connector (1) to the side assemblies with carriage bolts (10), lock washers (12), and hex nuts (11). Anchor the unit to the floor through the 2 anchor bolt holes in the front and back connectors. Refer to the [diagrams on p. 3](#).



Step 3: Insert the legs of the dividers into the openings in the tops of the side assemblies. Insert dividers of increasing size (5, 7, 8, 9, 4) from front to back.



LABELING DIAGRAM

Label content and location are subject to change so your product might not be labeled exactly as shown. Compare the diagram below to your [Record of Satisfactory Condition](#). If there are any differences between actual labeling and this diagram, contact [Technical Service](#).

Replace all labels that are damaged, missing, or not easily readable (e.g. faded). To order replacement labels or to inquire whether your unit is properly labeled, contact the technical service and parts department online at http://www.vestilmfg.com/parts_info.htm or by calling (260) 665-7586 and asking for the Parts Department.

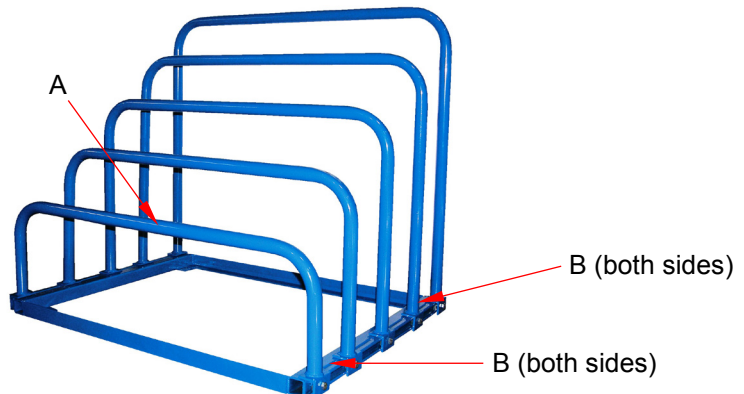
A: Label 287

MODEL/MODÉLO/MODELE	_____
STATIC CAPACITY (evenly distributed)	_____ lbs.
LA CAPACIDAD CONSTANTE (distribuida uniformemente)	_____ kgs.
CAPACITÉ STATIQUE (distribuée régulièrement)	_____ kgs.
SERIAL/SERIE/SÉRIE	_____

287 REV 0812

B: Label 204

▲ WARNING ▲ ADVERTENCIA ▲ AVERTISSEMENT		
SECURE FRAME TO FLOOR	ASEGURE EL BASTIDOR AL PISO	FIXER SOLIDEMENT LE CADRE AU PLANCHER



LIMITED WARRANTY

Vestil Manufacturing Corporation (“Vestil”) warrants this product to be free of defects in material and workmanship during the warranty period. Our warranty obligation is to provide a replacement for a defective, original part covered by the warranty after we receive a proper request from the Warrantee (you) for warranty service.

Who may request service?

Only a warrantee may request service. You are a warrantee if you purchased the product from Vestil or from an authorized distributor AND Vestil has been fully paid.

Definition of “original part”?

An original part is a part used to make the product as shipped to the Warrantee.

What is a “proper request”?

A request for warranty service is proper if Vestil receives: 1) a photocopy of the Customer Invoice that displays the shipping date; AND 2) a written request for warranty service including your name and phone number. Send requests by one of the following methods:

US Mail	Fax	Email
Vestil Manufacturing Corporation 2999 North Wayne Street, PO Box 507 Angola, IN 46703	(260) 665-1339 <u>Phone</u> (260) 665-7586	info@vestil.com Enter “Warranty service request” in subject field.

In the written request, list the parts believed to be defective and include the address where replacements should be delivered. After Vestil receives your request for warranty service, an authorized representative will contact you to determine whether your claim is covered by the warranty. Before providing warranty service, Vestil will require you to send the entire product, or just the defective part (or parts), to its facility in Angola, IN.

What is covered under the warranty?

The warranty covers defects in the following original, dynamic parts: motors, hydraulic pumps, motor controllers, and cylinders. It also covers defects in original parts that wear under normal usage conditions (“wearing parts”), such as bearings, hoses, wheels, seals, brushes, and batteries.

How long is the warranty period?

The warranty period for original dynamic components is 90 days. For wearing parts, the warranty period is 90 days. Both warranty periods begin on the date Vestil ships the product to the Warrantee. If the product was purchased from an authorized distributor, the periods begin when the distributor ships the product. Vestil may, at its sole discretion, extend a warranty period for products shipped from authorized distributors by up to 30 days to account for shipping time.

If a defective part is covered by the warranty, what will Vestil do to correct the problem?

Vestil will provide an appropriate replacement for any *covered* part. An authorized representative of Vestil will contact you to discuss your claim.

What is not covered by the warranty?

The Warrantee (you) is responsible for paying labor costs and freight costs to return the product to Vestil for warranty service.

Events that automatically void this Limited Warranty.

- Misuse;
- Negligent assembly, installation, operation or repair;
- Installation/use in corrosive environments;
- Inadequate or improper maintenance;
- Damage sustained during shipping;
- Collisions or other accidents that damage the product;
- Unauthorized modifications: Do not modify the product IN ANY WAY without first receiving written authorization from Vestil.

Do any other warranties apply to the product?

Vestil Manufacturing Corp. makes no other express warranties. All implied warranties are disclaimed to the extent allowed by law. Any implied warranty not disclaimed is limited in scope to the terms of this Limited Warranty. Vestil makes no warranty or representation that this product complies with any state or local design, performance, or safety code or standard. Noncompliance with any such code or standard is not a defect in material or workmanship.

